

---

**APPENDIX H**  
**Lighting Plan (R2)**

---



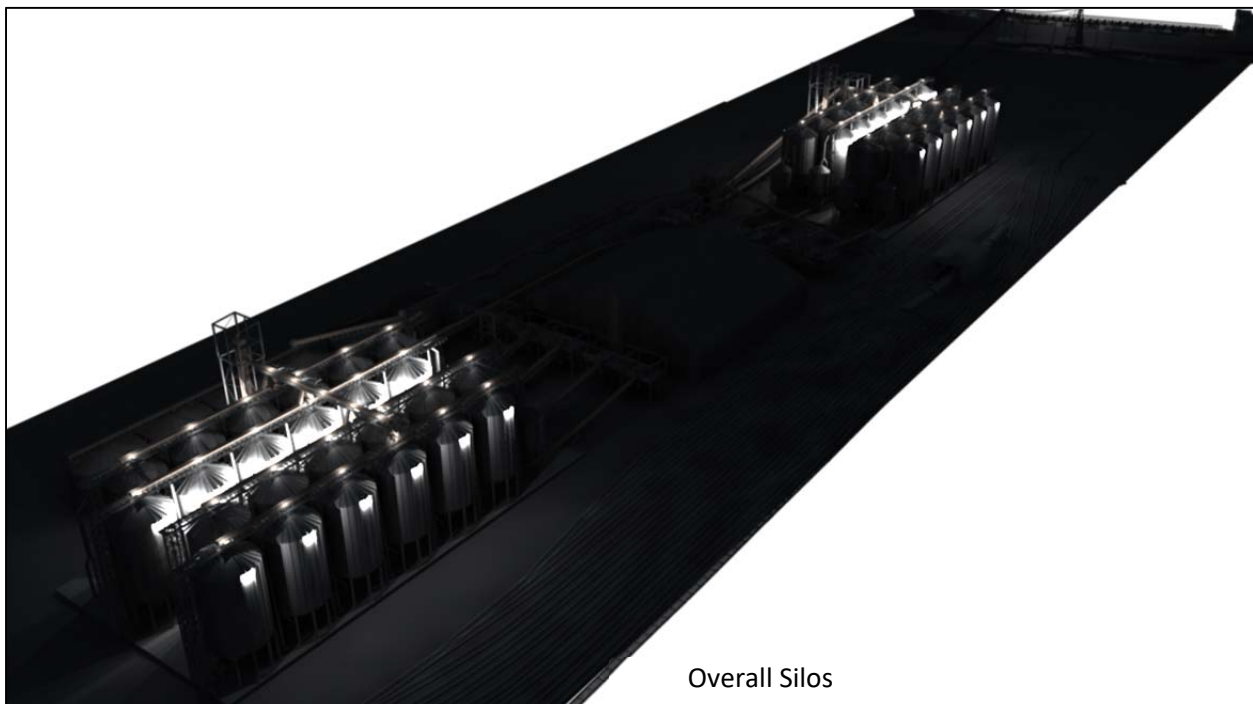
Drawings 15006-100-E-304C, 15006-100-E-304D and 15006-100-E-304E indicate the locations of exterior lighting. Drawings 15006-100-GA-304E\_P3 and 15006-100-GA-304F\_P1 illustrate the mounting of the lighting fixtures on the new equipment. Datasheets are also attached for the type of fixtures that will be installed. These datasheets illustrate the levels of illumination for these fixtures.

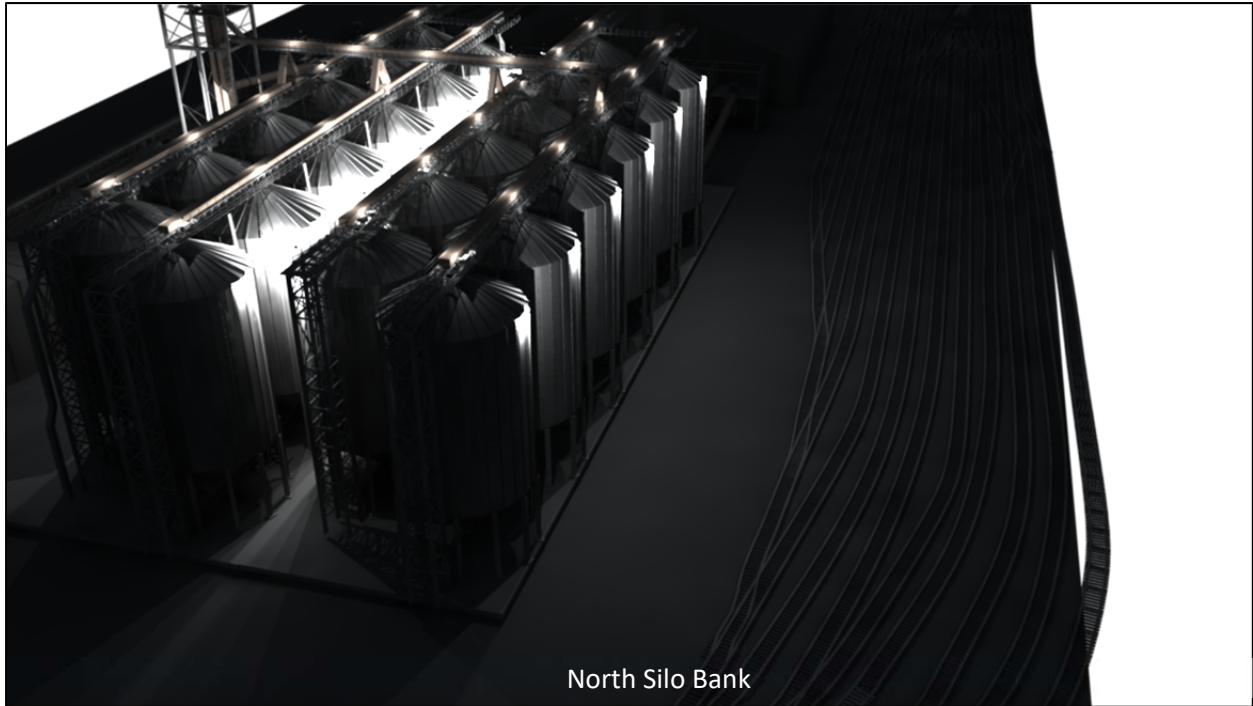
All of the lighting fixtures installed will be energy efficient LED fixtures. Adequate lighting to satisfy the requirements of Occupational Health and Safety Regulations will be installed. These fixtures will provide the lighting levels required for safe operation of the terminal while minimizing the effect of light broadcast to adjacent sites and views.

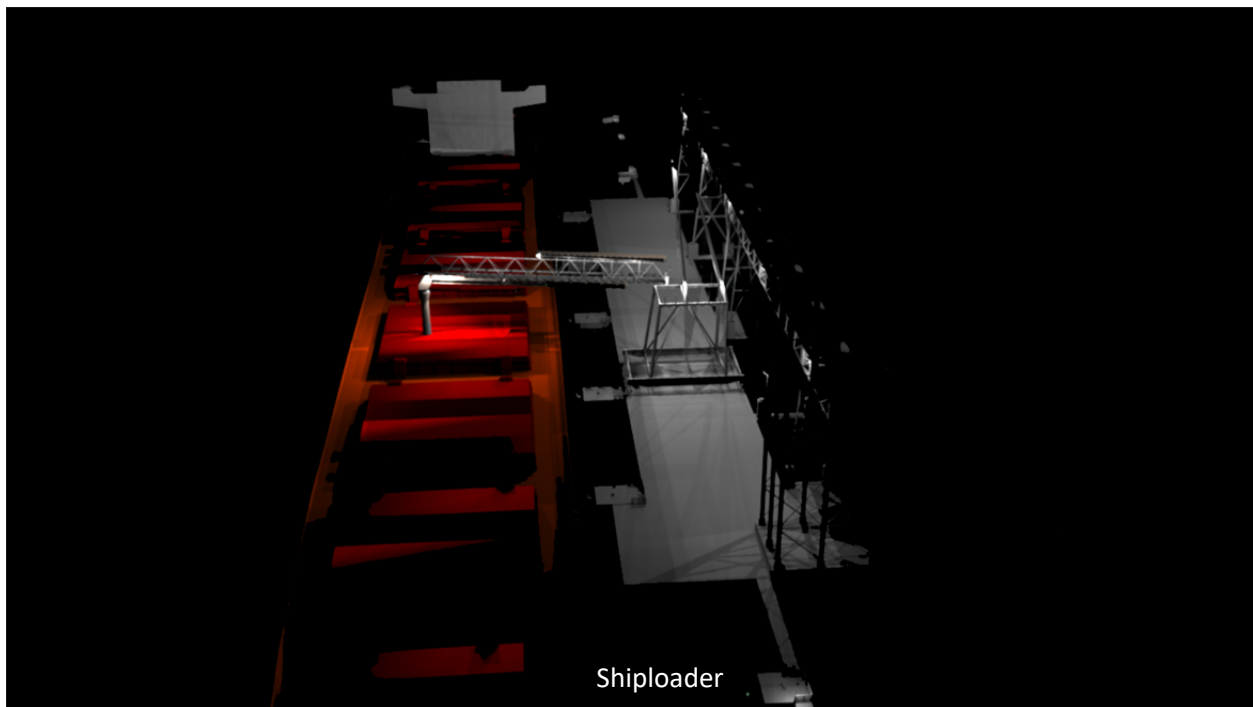
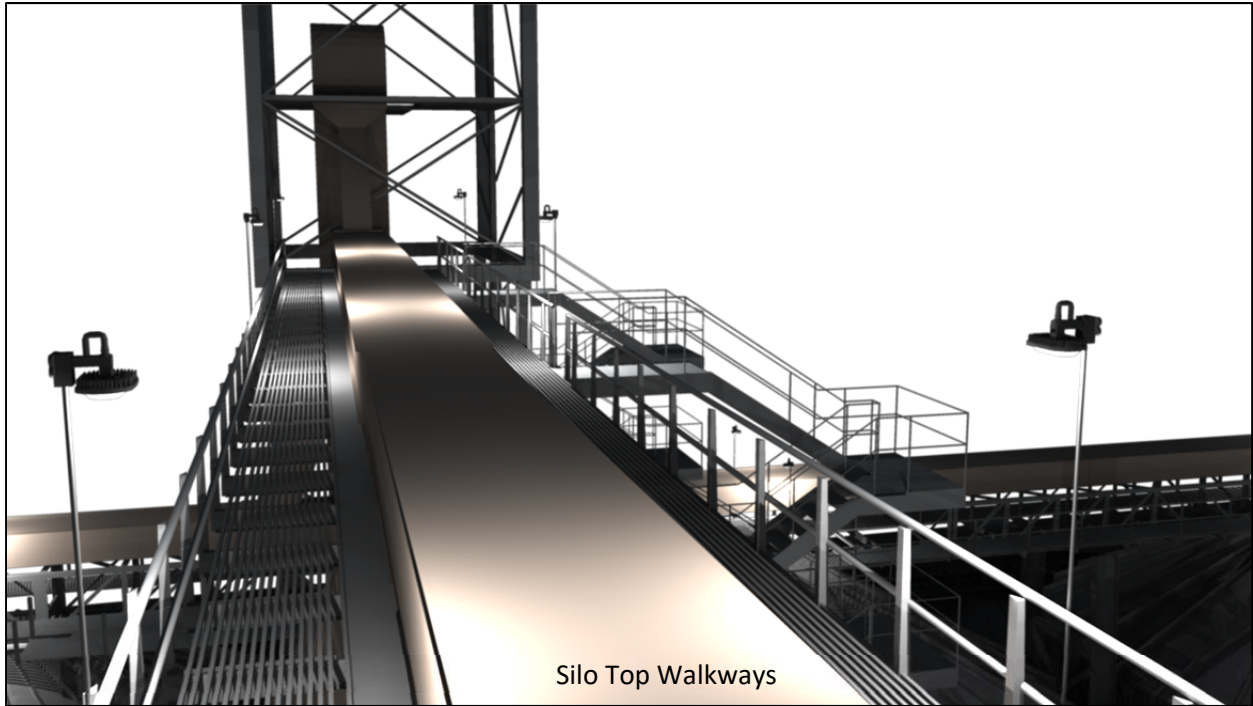
The design and installation of the lighting fixtures will focus on having light focused inward and downward into the Fibreco site. Although the exterior lighting will be visible from outside the terminal the design will minimize the external visibility.

The temporary construction lighting will also be directed into the terminal to minimize the effect on outside areas.

The following renderings show the effect of the new lighting on the silos and the shiploader.

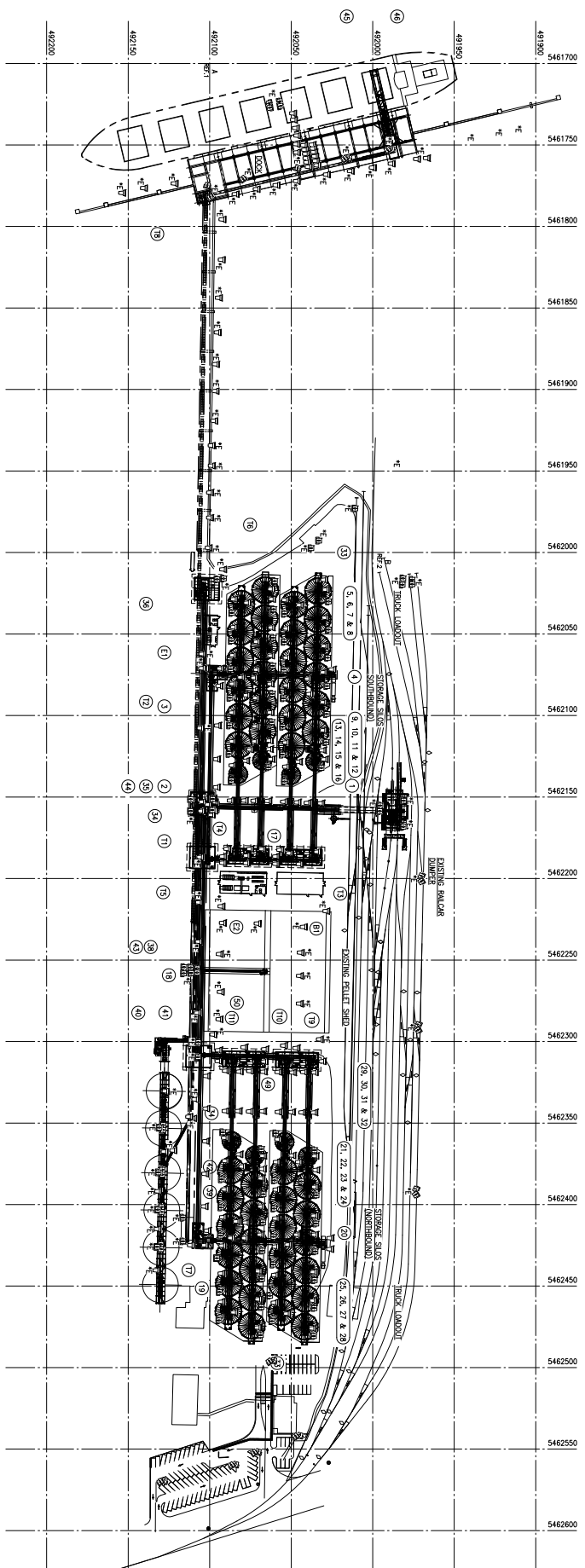








**Attached:** Drawing 1506-100-E-304C  
Drawing 1506-100-E-304D  
Drawing 1506-100-E-304E  
Drawing 1506-100-GA-304E-P3  
Drawing 1506-100-GA-304F-P1  
HL-2504 Predator LED Brochure



SITE PLAN - OVERALL  
SCALE 1:1250

LEGEND:  
 ▽ MAINWAY LIGHT FIXTURE  
 ▽ FLOODLIGHTS  
 \* DENOTES PRE-EXISTING LIGHTING FIXTURES

REF	DWG NUMBER	REFERENCE DRAWINGS / DESIGN STANDARDS	CLIENT PROJECT No.	DWG ACAD FILE: 15006-100-E-304C.DWG	NO.	DATE	DESCRIPTION	ISSUES / REVISIONS	DRAWN	DWG CHECK	DESIGN	DESIGN CHECK	APPROVED	DRAWN BY: JRM	SCALE: 1:1250	PROJECT NO.	AREA	DEPT.	DWG. No.	REV.
1	15006-100-04-304C	SITE PLAN - OVERALL (MAX BUILDOUT) - SECTION			F5	2016-09-01	ISSUED FOR CLIENT REVIEW - AREA LIGHTING ADDED		TSC	-	TSC	-				15006	100	E	304C	
2	15006-100-04-304D	SITE PLAN - OVERALL (MAX BUILDOUT) - SECTION			F4	2016-08-19	ISSUED FOR CLIENT REVIEW		JRM	-	RCW	-								
					F3	2016-08-16	ISSUED FOR CLIENT REVIEW		JRM	-	RCW	-								
					F2	2016-08-08	ISSUED FOR CLIENT REVIEW		JRM	-	RCW	-								
					F1	2016-06-23	ISSUED FOR CLIENT REVIEW		JRM	-	RCW	-								



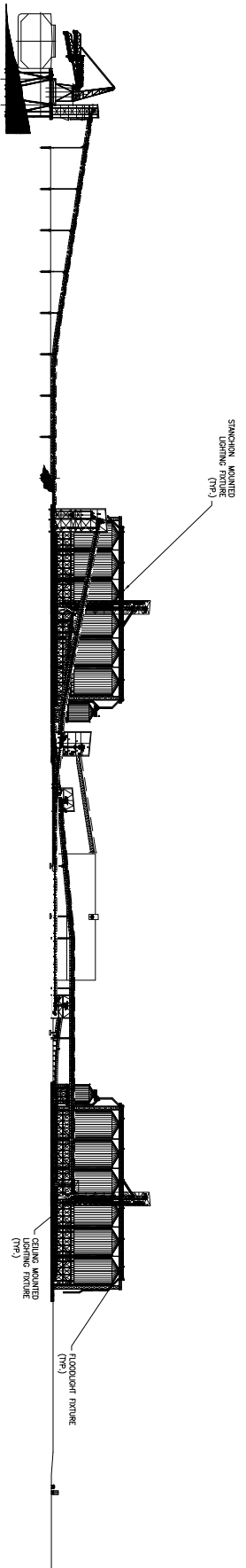
FIBRECO EXPORT INC.  
 1209 Macken Ave. C.  
 Vancouver, B.C.  
 V7Y 1J8  
 TEL: (604) 981-6543  
 FAX: (604) 981-2583



www.owainc.com

FIBRECO EXPORT INC.  
 NORTH VANCOUVER, B.C.  
 GENERAL  
 SITE PLAN  
 LIGHTING PLAN

PRELIMINARY  
 NOT FOR CONSTRUCTION

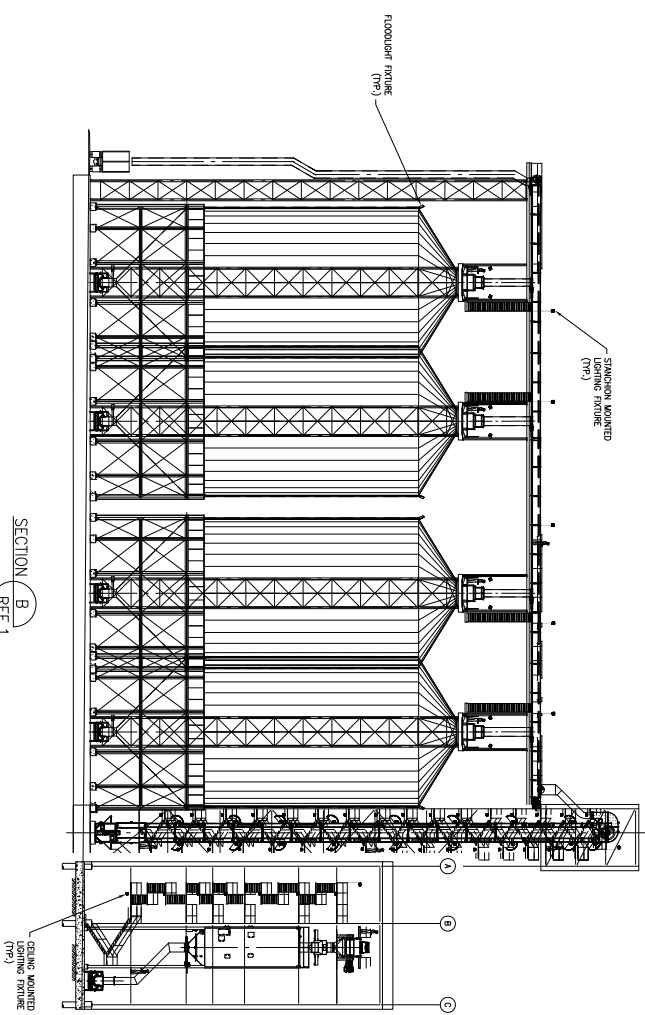


SECTION A  
REF. 1

PRELIMINARY  
NOT FOR CONSTRUCTION



<p>FIBRECO EXPORT INC. 1208 Mackenzie Ave. C. North Vancouver, B.C. V7P 4J8 TEL: (604) 986-6543 FAX: (604) 984-2593</p>		<p>CLIENT PROJECT No. <b>DMC ACAD FILE: 15006-100-E-304D.WG</b></p>																																																									
REF	DMC NUMBER	REFERENCE DRAWINGS / DESIGN STANDARDS	CLIENT PROJECT No.																																																								
1	15006-100-04-304C	SITE PLAN - OVERALL (MAX BUILDOUT)																																																									
<p>ISSUES / REVISIONS</p> <table border="1"> <thead> <tr> <th>No.</th> <th>DATE</th> <th>DESCRIPTION</th> <th>DRAWN</th> <th>DMC CHECK</th> <th>DESIGN</th> <th>DESIGN CHECK</th> <th>APPROVED</th> </tr> </thead> <tbody> <tr> <td>P5</td> <td>2016-09-02</td> <td>ISSUED FOR CLIENT REVIEW - LIGHTING DETAILS ADDED</td> <td>TSC</td> <td>-</td> <td>TSC</td> <td>-</td> <td>-</td> </tr> <tr> <td>P4</td> <td>2016-08-19</td> <td>ISSUED FOR CLIENT REVIEW</td> <td>JML</td> <td>-</td> <td>RCW</td> <td>-</td> <td>-</td> </tr> <tr> <td>P3</td> <td>2016-08-17</td> <td>BUDGET ITEM BAKED 316W/CHINA FEED DMC OWNERS BAKED 154W, ISSUED FOR CLIENT REVIEW</td> <td>JML</td> <td>-</td> <td>RCW</td> <td>-</td> <td>-</td> </tr> <tr> <td>P2</td> <td>2016-08-14</td> <td>SIGNS BAKED 4m, ISSUED FOR CLIENT REVIEW</td> <td>JML</td> <td>-</td> <td>RCW</td> <td>-</td> <td>-</td> </tr> <tr> <td>P1</td> <td>2016-06-23</td> <td>ISSUED FOR CLIENT REVIEW</td> <td>JML</td> <td>-</td> <td>RCW</td> <td>-</td> <td>-</td> </tr> <tr> <td></td> <td>YY-MM-DD</td> <td>DESCRIPTION</td> <td>DRAWN</td> <td>DMC CHECK</td> <td>DESIGN</td> <td>DESIGN CHECK</td> <td>APPROVED</td> </tr> </tbody> </table>				No.	DATE	DESCRIPTION	DRAWN	DMC CHECK	DESIGN	DESIGN CHECK	APPROVED	P5	2016-09-02	ISSUED FOR CLIENT REVIEW - LIGHTING DETAILS ADDED	TSC	-	TSC	-	-	P4	2016-08-19	ISSUED FOR CLIENT REVIEW	JML	-	RCW	-	-	P3	2016-08-17	BUDGET ITEM BAKED 316W/CHINA FEED DMC OWNERS BAKED 154W, ISSUED FOR CLIENT REVIEW	JML	-	RCW	-	-	P2	2016-08-14	SIGNS BAKED 4m, ISSUED FOR CLIENT REVIEW	JML	-	RCW	-	-	P1	2016-06-23	ISSUED FOR CLIENT REVIEW	JML	-	RCW	-	-		YY-MM-DD	DESCRIPTION	DRAWN	DMC CHECK	DESIGN	DESIGN CHECK	APPROVED
No.	DATE	DESCRIPTION	DRAWN	DMC CHECK	DESIGN	DESIGN CHECK	APPROVED																																																				
P5	2016-09-02	ISSUED FOR CLIENT REVIEW - LIGHTING DETAILS ADDED	TSC	-	TSC	-	-																																																				
P4	2016-08-19	ISSUED FOR CLIENT REVIEW	JML	-	RCW	-	-																																																				
P3	2016-08-17	BUDGET ITEM BAKED 316W/CHINA FEED DMC OWNERS BAKED 154W, ISSUED FOR CLIENT REVIEW	JML	-	RCW	-	-																																																				
P2	2016-08-14	SIGNS BAKED 4m, ISSUED FOR CLIENT REVIEW	JML	-	RCW	-	-																																																				
P1	2016-06-23	ISSUED FOR CLIENT REVIEW	JML	-	RCW	-	-																																																				
	YY-MM-DD	DESCRIPTION	DRAWN	DMC CHECK	DESIGN	DESIGN CHECK	APPROVED																																																				
<p>DESIGN STANDARDS * HAVO INITIALS ON FILE</p>																																																											
<p>www.owva.ca The British Columbia Professional Civil Engineers Inc. on the Professional Engineers Act. The British Columbia Professional Surveyors Act. The Professional Geomatics Engineers Act. The Professional Geomatics Engineers Act. The Professional Geomatics Engineers Act.</p>		<p>PROJECT No. <b>15006</b>   AREA <b>100</b>   DEPT. <b>E</b>   DMC. No. <b>304D</b></p>																																																									
<p>FIBRECO EXPORT INC. NORTH VANCOUVER, B.C.</p>		<p>FIBRECO TERMINAL ENHANCEMENT PROJECT GENERAL SECTION WEST LIGHTING PLAN</p>																																																									



SECTION B  
REF: 1

PRELIMINARY  
NOT FOR CONSTRUCTION



FIBRECO EXPORT INC.  
1209 Macken Ave. G.  
North Vancouver, B.C.  
V7L 3J8  
TEL: (604) 985-6543  
FAX: (604) 984-2593

REF	DWG. NUMBER	SITE PLAN - OVERALL (MAX BUILDOUT)
1	15006-100-04-20AC	

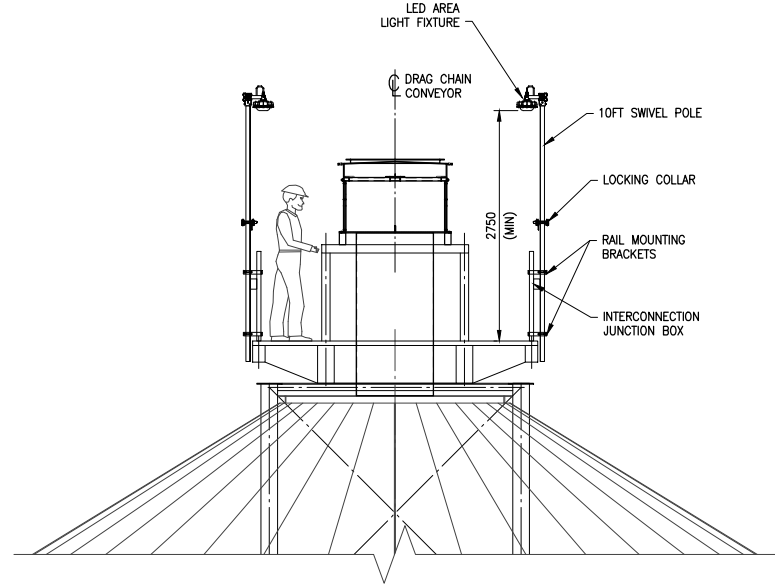
CLIENT PROJECT No.	DMC ACQD FILE: 15006-100-E-30E10W

No.	DATE	ISSUED FOR CLIENT REVIEW - LIGHTING DETAILS ADDED	DESCRIPTION	DESIGN	DESIGN CHECK	APPROVED
F1	2016-09-19	ISSUED FOR CLIENT REVIEW		TSC		
F2	2016-09-19	ISSUED FOR CLIENT REVIEW		TSC		

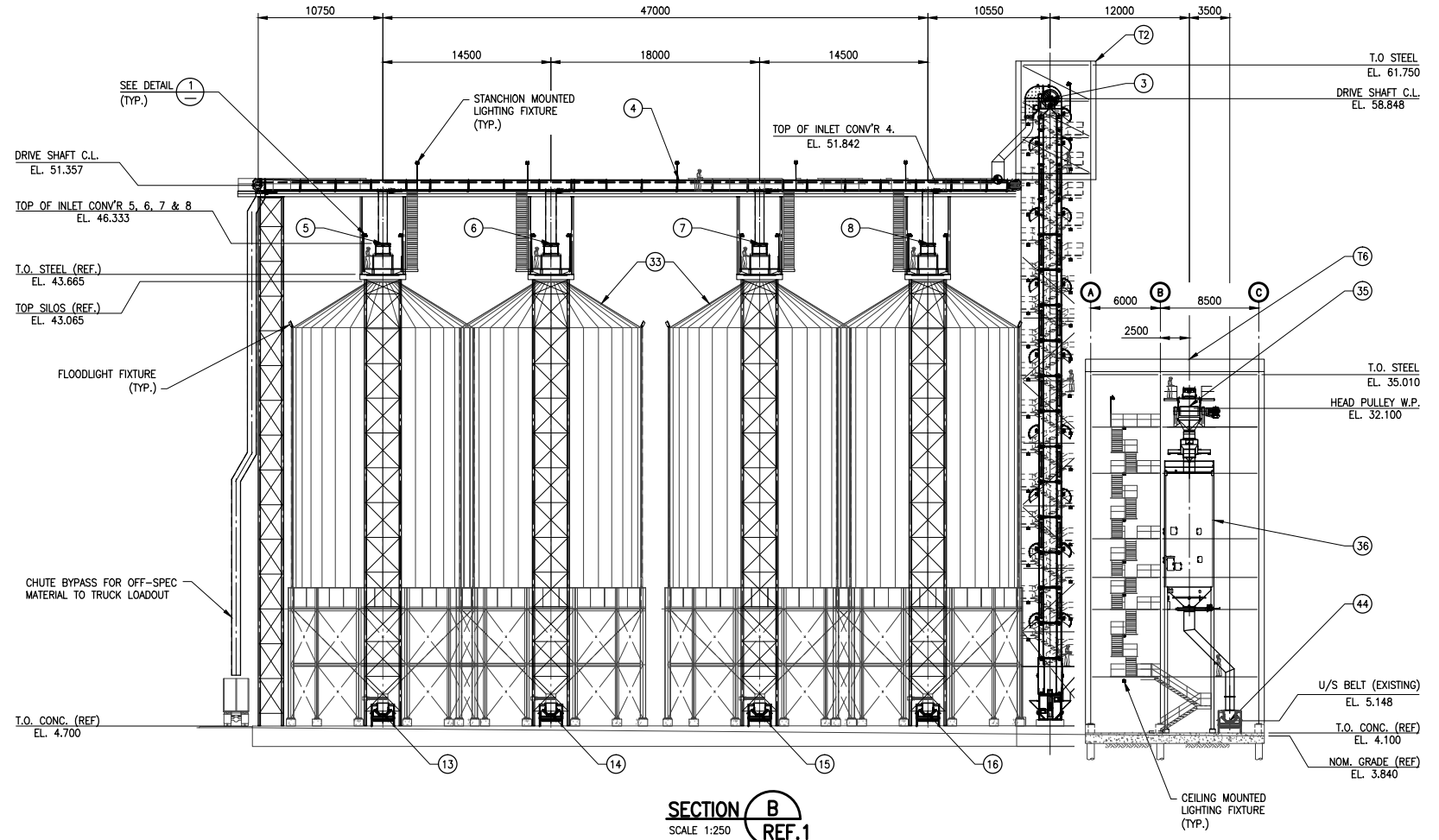
**OWVA**  
www.owvaengineers.com  
The Owva Group has been incorporated by OWVA Engineers Inc. as the predecessor of the Owva Group Inc. The Owva Group Inc. is a professional engineering firm providing a full range of engineering services including structural, mechanical, electrical, plumbing, and civil engineering. The Owva Group Inc. is a member of the International Brotherhood of Engineers and Technicians (IBET).

FIBRECO EXPORT INC. NORTH VANCOUVER, B.C.	
FIBRECO TERMINAL ENHANCEMENT PROJECT	
GENERAL	
SECTION NORTH	
LIGHTING PLAN	
PROJECT No.	15006
AREA	100
DEPT.	E
DMC. No.	304E
REV.	





**TYPICAL STANCHION INSTALLATION** 1  
SCALE 1:40



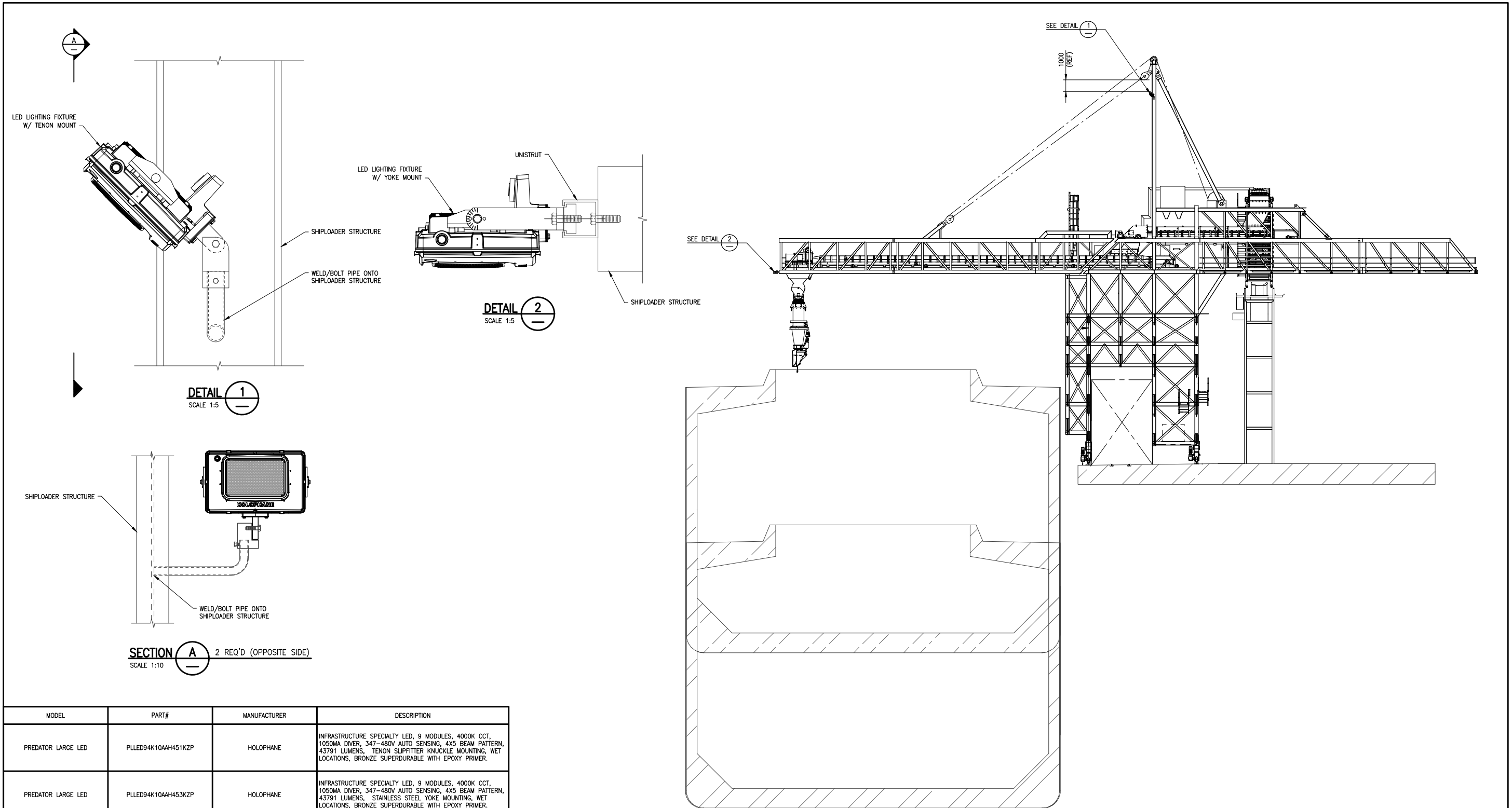
**SECTION B**  
SCALE 1:250  
**REF.1**

MODEL	PART#	MANUFACTURER	DESCRIPTION
SAFESITE LED AREA LIGHT - UL 844	HZDEC2G	DIALIGHT	CLASS 1, DIV. 2 LED FIXTURE; 120-277VAC; 89W; 7000 LUMENS; TEMPERED GLASS
MOUNTING BRACKET	HZXW3	DIALIGHT	STAINLESS STEEL BRACKET
STANCHION MOUNT	HZXSTAN150T	DIALIGHT	1.50" (1.900" POLE OD) NPT THREADED STANCHION MOUNT
SWIVELPOLE S1	S1-3000-T	SWIVELPOLE	10' STANCHION; HOT-DIP GALVANISED STRUCTURAL STEEL
STANCHION MOUNTING KIT	MBK2-2-50	SWIVELPOLE	U-BOLT TO STANCHION
JUNCTION BOX PLATE	JBPk1101	SWIVELPOLE	OFFSET MOUNTING PLATE MOUNTED FROM STANCHION TO JUNCTION BOX
JUNCTION BOX	EJ443	HAMMOND MANUFACTURING	4.00"(H)x4.00"(W)x3.00"(D), TYPE 4 MILD STEEL, CONTINUOUS HINGE DOOR WITH QUARTER TURN, ANSI 61 GRAY

COMPONENT	
NUMBER	DESCRIPTION
3	BUCKET ELEVATOR
4	CENTER FEED DRAG CONVEYOR
5	SILO FEED DRAG CONVEYOR
6	SILO FEED DRAG CONVEYOR
7	SILO FEED DRAG CONVEYOR
8	SILO FEED DRAG CONVEYOR
13	SILO RECLAIM BELT CONVEYOR
14	SILO RECLAIM BELT CONVEYOR
15	SILO RECLAIM BELT CONVEYOR
16	SILO RECLAIM BELT CONVEYOR
33	SILOS (48 IN TOTAL)
35	BELT CONVEYOR
36	BULK WEIGHER
44	EXISTING BELT CONVEYOR
T2	TRANSFER TOWER No.2
T6	TRANSFER TOWER No.8

**PRELIMINARY  
NOT FOR CONSTRUCTION**

		<b>FIBRECO EXPORT INC.</b> 1209 McKeen Ave. North Vancouver, B.C. V7P 3H9 TEL: (604) 980-6543 FAX: (604) 984-2593				<b>FIBRECO EXPORT INC.</b> NORTH VANCOUVER, B.C. <b>FIBRECO TERMINAL ENHANCEMENT PROJECT</b>	
REF. 1 15006-100-GA-304C SITE PLAN - OVERALL (MAX BUILDOUT)		REF. 1 15006-100-GA-304C SITE PLAN - OVERALL (MAX BUILDOUT)		P3 2016-11-18 ISSUED FOR CLIENT REVIEW - STANCHION DETAILS ADDED HMP EVY ALA EVY -		This drawing has been prepared by CWA Engineers Inc. as an Instrument of service and is the exclusive property of CWA. This drawing shall be used solely for the purpose of this project. The client agrees that this drawing shall not be used for purposes other than those intended, and shall hold the engineer harmless for any other such use.	
REF. 1 15006-100-GA-304C SITE PLAN - OVERALL (MAX BUILDOUT)		REF. 1 15006-100-GA-304C SITE PLAN - OVERALL (MAX BUILDOUT)		P2 2016-09-02 ISSUED FOR CLIENT REVIEW - LIGHTING DETAILS ADDED TSC - TSC -		<b>GENERAL SITE PLAN OVERALL (MAX BUILDOUT) SECTION</b>	
REF. 1 15006-100-GA-304C SITE PLAN - OVERALL (MAX BUILDOUT)		REF. 1 15006-100-GA-304C SITE PLAN - OVERALL (MAX BUILDOUT)		P1 2016-08-19 ISSUED FOR CLIENT REVIEW JRM - RCW -		<b>15006 100 GA 304E P3</b>	
REFERENCE DRAWINGS / DESIGN STANDARDS		CLIENT PROJECT No:		ISSUES / REVISIONS		DRAWN BY: JRM SCALE: 1:250	
CWA ACAD FILE: 15006-100-GA-304E_P3.DWG		CWA ACAD FILE: 15006-100-GA-304E_P3.DWG		* HAND INITIALS ON FILE		PROJECT No. AREA DEPT. DWG. No. REV.	



**ELEVATION**  
SCALE 1:150

**PRELIMINARY  
NOT FOR CONSTRUCTION**

MODEL	PART#	MANUFACTURER	DESCRIPTION
PREDATOR LARGE LED	PLLED94K10AAH451KZP	HOLOPHANE	INFRASTRUCTURE SPECIALTY LED, 9 MODULES, 4000K CCT, 1050MA DIVER, 347-480V AUTO SENSING, 4X5 BEAM PATTERN, 43791 LUMENS, TENON SLIPFITTER KNUCKLE MOUNTING, WET LOCATIONS, BRONZE SUPERDURABLE WITH EPOXY PRIMER.
PREDATOR LARGE LED	PLLED94K10AAH453KZP	HOLOPHANE	INFRASTRUCTURE SPECIALTY LED, 9 MODULES, 4000K CCT, 1050MA DIVER, 347-480V AUTO SENSING, 4X5 BEAM PATTERN, 43791 LUMENS, STAINLESS STEEL YOKE MOUNTING, WET LOCATIONS, BRONZE SUPERDURABLE WITH EPOXY PRIMER.
		UNISTRUT	STRUT CHANNEL AND ASSOCIATED ACCESSORIES



FIBRECO EXPORT INC.  
1209 McKeen Ave.  
North Vancouver, B.C.  
V7P 3H9  
TEL: (604) 980-6543  
FAX: (604) 984-2593



FIBRECO EXPORT INC.  
NORTH VANCOUVER, B.C.  
FIBRECO TERMINAL ENHANCEMENT PROJECT

This drawing has been prepared by CWA Engineers Inc. as an Instrument of service and is the exclusive property of CWA. This drawing shall be used solely for the purpose of this project. The client agrees that this drawing shall not be used for purposes other than those intended, and shall hold the engineer harmless for any other such use.

**GENERAL  
SITE PLAN  
SHIPLoader LIGHTING SECTION**

REF.	DWG. NUMBER	DESCRIPTION	No.	DATE	DESCRIPTION	DRAWN	DWG. CHECK	DESIGN	DESIGN CHECK	APPROVED	PROJECT No.	AREA	DEPT.	DWG. No.	REV.																	
			P1	2016-11-17	ISSUED FOR CLIENT REVIEW	HMP	EYV	ALA	EYV	-	15006	100	GA	304F	P1																	
REFERENCE DRAWINGS / DESIGN STANDARDS											CLIENT PROJECT No: -		CWA ACAD FILE: 15006-100-GA-304F_P1.DWG		ISSUES / REVISIONS		* HAND INITIALS ON FILE		DRAWN BY: HMP		SCALE: AS NOTED		PROJECT No.		AREA		DEPT.		DWG. No.		REV.	



  
**HOLOPHANE**<sup>®</sup>  
LEADER IN LIGHTING SOLUTIONS

**PREDATOR**<sup>®</sup> LED

FLOODLIGHT LUMINAIRE

**AcuityBrands**



## PREDATOR LED FLOODLIGHT LUMINAIRE

THE PREDATOR LED IS A SUSTAINABLE SOLUTION FOR FLOODLIGHTING APPLICATIONS WITH TWO MODELS TO CHOOSE FROM; THE PMLLED (MEDIUM) AND THE PLLED (LARGE). THE PMLLED OFFERS LUMEN PACKAGES FOR DIRECT REPLACEMENT FOR 100-400 WATT FLOODS. THE PLLED OFFERS LUMEN PACKAGES FOR DIRECT REPLACEMENT FOR 400-1000 WATT FLOODS.

The use of LED's within traditional area and flood lighting applications is becoming a wide spread consideration when lighting design and selection is being performed. In order to take advantage of technology performance advancements, it is essential that the lighting system choice come from a reputable supplier where comprehensive engineering and testing has been conducted. Holophane has undergone extensive research and development to ensure reliability of our luminaires utilizing LED technology so as to provide exceptional value to our customers.





Predator Medium LED & Predator Large LED

## FEATURES AND BENEFITS

- Optimized thermal management system for maximum performance, long life, and reliability
- Segmented internal flectors are designed for superior field to beam ratios, uniformity, and spacing
- Optical Choices include 4X4, 4X5, 5X5, 6X5, and 6X6 NEMA patterns
- Tool less entry, integral three stage terminal block, are included to reduce installation time
- Robust design with IP66 rating, 3 G vibration rating, and a super durable paint finish over an epoxy primer exceeding 5000 hour salt fog rating
- Mounting options include tenon slipfitter knuckle, galvanized steel yoke or stainless steel yoke
- UL1598 40C, UL1598A Marine listed

## TYPICAL APPLICATIONS

- Parking Lots
- Correctional Facilities
- Schools/Campuses
- Military Bases
- Industrial Parks
- Substations
- Ports/Rail Facilities
- Wastewater Treatment Plants



## MECHANICAL DESIGN



Borosilicate Prismatic Glass lens provides permanence, durability, and glare control.



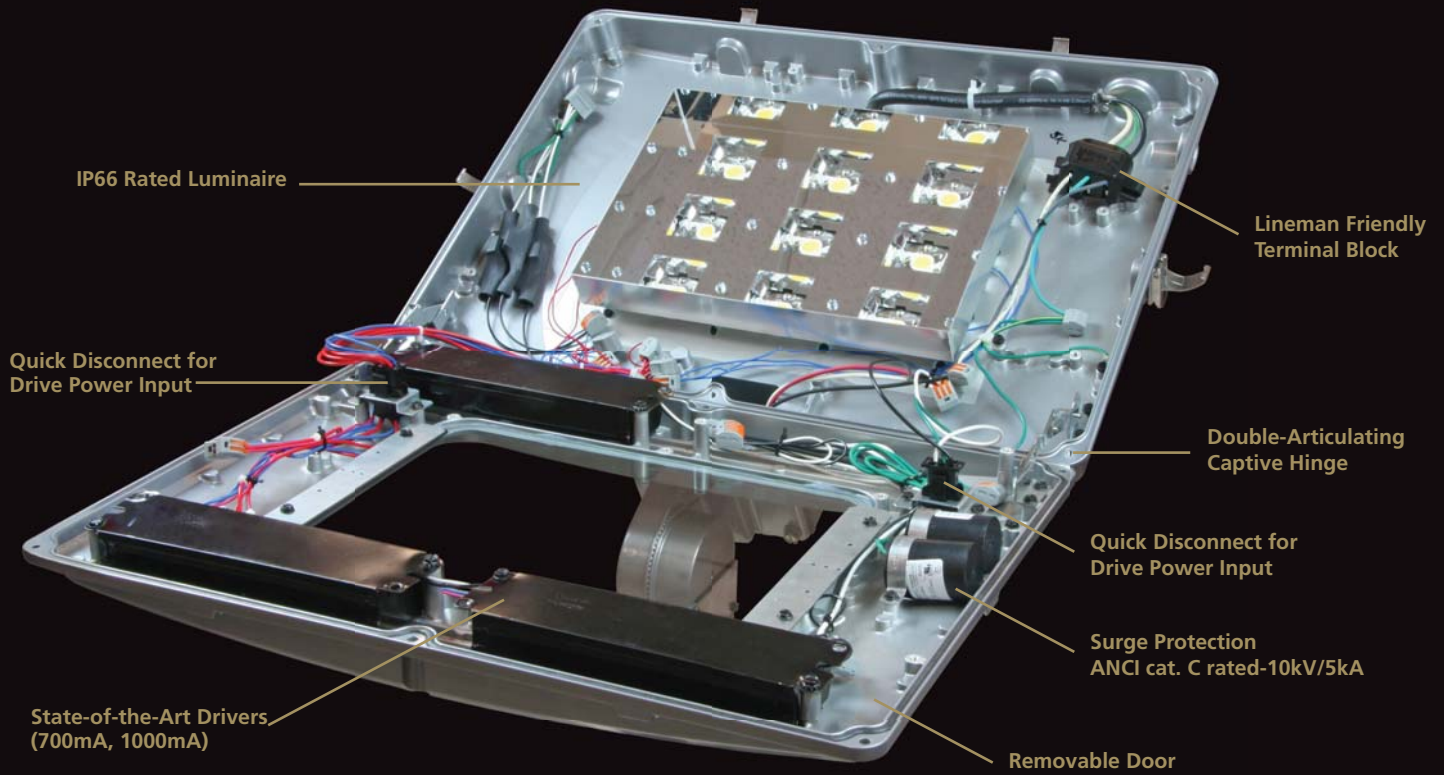
Wraparound Yoke Mounting option in galvanized steel or stainless steel



Factory Pre-wired Cord Assembly and cord grip for yoke mount



Tenon Mount factory prewired to knuckle wiring chamber



## LED OPTICAL DESIGN



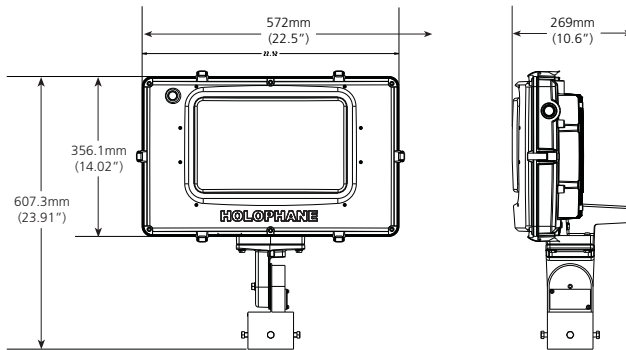
External Heat Sink provides excellent thermal transfer resulting in L70 values greater than 100,000 hours



High Performance segmented reflector system with five optical choices from narrow to wide distributions

# ORDERING INFORMATION

## DIMENSIONAL DETAILS

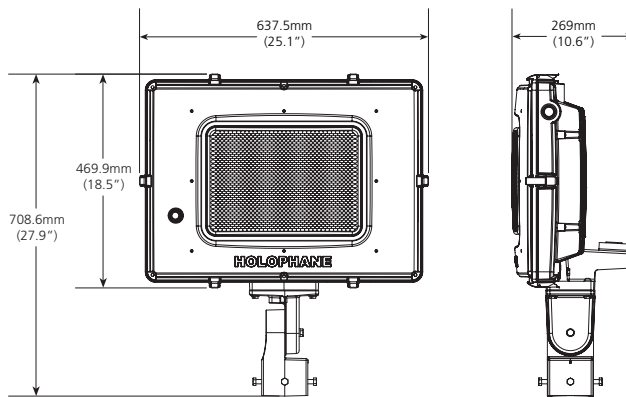


### PMLED

**Maximum weight:** 40lbs (18kg) Knuckle

**Maximum weight:** 47lbs (21kg) Yoke

**Maximum E.P.A.:** 3.1 sq. ft.



### PLED

**Maximum weight:** 54lbs (24kg) Knuckle

**Maximum weight:** 65lbs (29kg) Yoke

**Maximum E.P.A.:** 3.8 sq. ft.

## PERFORMANCE SPECIFICATIONS

### Optical

Performance of the PMLED is to replace 100-400 watt HID luminaires. Performance of the PLED is to replace 400 -1000 watt HID product. The optical system utilizes state of art chip on board technology with 4000K and 5000K color temperature choices with a 70 CRI minimum color temperature. The luminaire uses a highly specular internal reflector designed for superior field to beam ratios, uniformity and spacing. NEMA beam pattern choices of 4X4, 4X5, 5X5, 6X5, and 6X6 are available. Optional shielding is available to control uplight and light trespass. The optical enclosure is a borosilicate prismatic glass lens.

### Electrical

Long Life: LED light engines are rated > 100,000 hours at 25C, L70. Electronic driver has a rated life of 100,000 hour at a 25C ambient. Surge protection device provides IEEE/ANSIc62.4 Category C (10kV/5kA) level of protection.

### Mechanical

Rugged low copper A360 alloy die cast aluminum housing has integral heat sink fins to optimize thermal management through conductive and convection cooling. The die cast aluminum housings are painted with a super durable polyester paint finish over an epoxy primer pretreat yields a finish that achieves a scribe creepage of 8 after 5,000 hours exposure to salt spray providing durability and corrosion resistance.

The luminaire is available in either knuckle mount or yoke mount. The knuckle mount is adjustable and is designed to fit 2.375 inch to 2.875 inch tenons. The yoke mount is available in either galvanized steel or stainless steel. The luminaire comes standard prewired eliminating the lineman from opening the unit during installation. The knuckle version is pre-wired to the wiring chamber at the fitter.

The yoke mount has provision for a pre-wired cord drop to specified length in the ordering information. The luminaire comes standard with the door frame bolted to the housing. Optional tool less stainless steel latches are available to allow easy access to LED drivers, surge protection, and terminal block. The optical enclosure is sealed and gasketed to an IP66 rating. All luminaire mountings are 3G vibration rated per ANSI C136.

### Controls

The NEMA three pin locking -style photocontrol receptacle and an optional five pin receptacle is available. Dimming version (available with DE and VE option) uses proprietary Acuity Brands components to enable continuous 0-10V dimming down to 10% output via the ROAM smart controls system. (sold separately) Photocontrol for solid-state lighting meets ANSI C136.10 criteria

### Warranty & Standards

Rated for -40C to 40C ambient

UL 1598 A wet location, UL 1598A Marine (pending)




PREFERRED SELECTIONS:

Most Frequently Ordered Catalog Numbers

<b>PMLED</b> <b>1</b> LUMINAIRE PMLED PLLED	<b>2</b> LED MODULES 2 6 3 7 4 8 5 9	<b>5K</b> 3 COLOR TEMP 4K 5K	<b>10A</b> 4 DRIVE CURRENT 10A 07A	<b>AH</b> 5 VOLTAGE AS AH	<b>44</b> 6 BEAM PATTERN 44 45 55 65 66	<b>1</b> 7 MOUNTING 1 3 4	<b>K</b> 8 UL CATEGORY K	<b>BP</b> 9 COLOR BP GP HP WP ZP
---	---	--	--	---------------------------------------	--	--	-----------------------------------	---

CATALOG NUMBERS FOR ENTIRE PRODUCT OFFERING

(Pricing and lead times may be affected)

<p><b>STEP 1: LUMINAIRE</b></p> <p><b>PMLED</b> Predator Medium LED <b>PLLED</b> Predator Large LED</p> <p><b>STEP 2: LED MODULES</b></p> <p>2<sup>1</sup> 2 Modules      6<sup>1</sup> 6 Modules 3<sup>1</sup> 3 Modules      7<sup>2</sup> 7 Modules 4<sup>1</sup> 4 Modules      8<sup>2</sup> 8 Modules 5<sup>1</sup> 5 Modules      9<sup>2</sup> 9 Modules</p> <p><b>STEP 3: COLOR TEMP</b></p> <p>4K 4,000K 5K 5,000K</p> <p><b>STEP 4: DRIVE CURRENT</b></p> <p>10A 1050mA Driver 07A 700mA Driver</p> <p><b>STEP 5: VOLTAGE</b></p> <p>AS Auto-Sensing Voltage (120-277V) AH Auto-Sensing Voltage (347-480V)</p>	<p><b>STEP 6: BEAM PATTERN</b></p> <p>44 4x4 (Prismatic Glass) 45 4x5 (Prismatic Glass) 55 5x5 (Prismatic Glass) 65 6x5 (Prismatic Glass) 66 6x6 (Prismatic Glass)</p> <p><b>STEP 7: MOUNTING</b></p> <p>1 Tenon Slipfitter-Knuckle 3 Yoke Stainless Steel 4 Yoke Galvanized</p> <p><b>STEP 8: UL CATEGORY</b></p> <p>K Wet Locations</p> <p><b>STEP 9: COLOR</b></p> <p>BP Black Superdurable with Epoxy Primer GP Gray Superdurable with Epoxy Primer HP Graphite Superdurable with Epoxy Primer WP White Superdurable with Epoxy Primer ZP Bronze Superdurable with Epoxy Primer</p>  <p>*Colors are just a representation. Custom colors are available upon request</p>	<p><b>STEP 10: CORD LENGTH OPTION</b></p> <p>04 4' cord length      12 12' cord length 05 5' cord length      15 15' cord length 06 6' cord length      20 20' cord length 08 8' cord length      25 25' cord length 10 10' cord length      30 30' cord length</p> <p><b>STEP 11: CORD TYPE</b></p> <p>63 16 gage, 3 conductor 43 14 gage, 3 conductor 23 12 gage, 3 conductor</p> <p><b>STEP 12: OPTIONS</b></p> <p>DE<sup>3</sup> ROAM Concierge/Enterprise for AS Voltage (120-277V) DE34<sup>3</sup> ROAM Concierge/Enterprise for 347V DE48<sup>3</sup> ROAM Concierge/Enterprise for 480V DM<sup>4</sup> 0V-10V Dimmable Driver F1<sup>9</sup> Single Fusing F2<sup>9</sup> Double Fusing NL NEMA Label PCL1<sup>3</sup> DLL 120V-277V Photocontrol PCL3<sup>3</sup> DLL 347V Photocontrol PCL4<sup>3</sup> DLL 480V Photocontrol PCSS<sup>3</sup> DSS 120-277V Photocontrol P3<sup>3</sup> ANSI Standard locking style receptacle that accepts 3 pin controls for on/off operation</p>	<p><b>STEP 12: OPTIONS (CONTINUED)</b></p> <p>P5<sup>6</sup> ANSI Standard locking style receptacle that accepts 3 pin controls, as well as 5 pin controls. The 5 pin controls fixture dimming. SH<sup>3</sup> Shorting Cap TL Tool-Less Entry with Latches VE<sup>3</sup> ROAMVIEW for AS voltage (120-277V) VE34<sup>3</sup> ROAMVIEW for 347V VE48<sup>3</sup> ROAMVIEW for for 480</p> <p><b>STEP 12: ACCESSORIES</b></p> <p>PMLED FV-XX Full Visor Superdurable Paint with Epoxy Primer PMLED UBV-XX Upper/Bottom Visor Superdurable Paint with Epoxy Primer PMLED VG Vandal Guard PMLED WG Wire Guard 08657-XX<sup>7</sup> Yoke to 2.375" OD Tenon Adaptor-Superdurable Paint with Epoxy Primer 08775-XX<sup>7</sup> Yoke to 2.375" OD Tenon Adaptor with Photocontrol Receptacle-Superdurable Paint with Epoxy Primer</p> <p>1. Available with PMLED only 2. Available with PLLED only 3. Must be used with P3 or P5 4. Not available with DE, VE options 5. Not available with P5 option 6. Not available with P3 option 7. Available with mounting 3 and 4 only 8. PMLED Not Available with PMLEDF1, PMLEDF2 9. PMLED Not Available with TB option</p>
---	--	--	---

OPERATING CHARACTERISTICS

The Predator LED is a direct replacement for installed high intensity discharge (HID) flood lights. The chart below gives general guidance on replacement of the Predator LED to HID luminaires.

Replacement	HID Wattage CWA Type	Modules	Lumens	LED Wattage	LPW	Savings
PLLED 1000 HPS	1100	9 COB/10A	32,218	354	91	68%
PLLED 1000 MH	1070	8 COB/10A	28,850	317	91	70%
PLLED 750 MH	820	7 COB/10A	25,483	280	91	66%
PMLED 400 HPS	464	6 COB/10A	22,337	236	95	49%
PMLED 400 MH	464	5 COB/10A	18,930	200	95	57%
PMLED 250 HPS	295	3 COB/10A	11,169	118	95	60%
PMLED 250 MH	298	3 COB/07A	7,920	80	99	73%
PMLED 150 MH	190	2 COB/10A	7,667	81	95	57%



## **HOLOPHANE**<sup>®</sup>

LEADER IN LIGHTING SOLUTIONS

### **Acuity Brands Lighting, Inc.**

Holophane Headquarters, 3825 Columbus Road,  
Granville, OH 43023

Acuity Brands Lighting Canada, Inc.,  
35B Minthorn Blvd., Markham, ON., L3T 7N5

Holophane Europe Limited, Bond Ave.,  
Milton Keynes MK1 1JG, England

Holophane, S.A. de C.V., Km. 31 Carretera  
Mexico-Cuautitlan 54900 Tultitlan Edo. De  
Mexico

**Contact your local Holophane factory sales representative** for application assistance, and computer-aided design and cost studies. For information on other Holophane products and systems, call the Inside Sales Service Department at 866-759-1577. In Canada call 905-886-8967 or fax 905-886-7973.

**Warranty** Five-year limited warranty.  
Full warranty terms located at  
[www.acuitybrands.com/CustomerResources/Terms\\_and\\_conditions.aspx](http://www.acuitybrands.com/CustomerResources/Terms_and_conditions.aspx)

**Visit our web site at [www.holophane.com](http://www.holophane.com)**

*Product specifications may change without notice.  
Please contact your local Holophane factory sales representative for the latest product information.*

HL-2504 2/14 ©2014 Acuity Brands Lighting, Inc. All Rights Reserved.

experience  
lighting's  
best.

The eco savings in the production of this brochure:

- 1 tree preserved for the future
- 4 lbs waterborne waste not created
- 527 gallons wastewater flow saved
- 58 lbs solid waste not generated
- 115 lbs net greenhouse gases prevented
- 878,220 BTUs energy not consumed

Data obtained from the Mohawk Paper environmental calculator  
Printed in USA